

# JUMP STARTER

PUMP

GK1206P

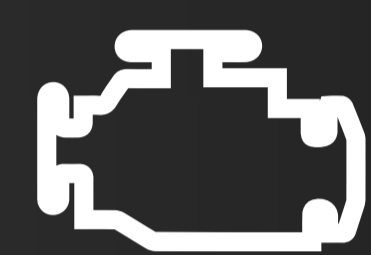


12V

30000A

PEAK CURRENT

# MULTI-FUNCTIONAL JUMP STARTER



## 8.0L GASOLINE & 8.0L DIESEL

Designed for gas engines up to 8.0 liters and diesel engines up to 8.0 liters for small diesel cars, SUVs, boats, trucks, ATVs, motorcycles and more.



## POWER BANK

This product has 3 output ports for multiple charging demands. Such as cellphone, tablet iPad, laptop, PSP, gamepad, car vacuum cleaner (with the provided cigarette lighter converter) and more.



## SAFETY JUMP-START CLAMP

Multiple safe protection design

1. Reverse Connection Protection
2. Low Battery Protection
3. High Temperature Protection



## LED FLASHLIGHT

Long press the power button for 3 seconds to turn on turn off the flashlight.  
Quick press the power button to switch 3 flashlight modes.



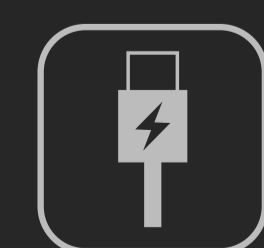
## POWERFUL AIR COMPRESSOR

🚗 | 36PSI

🏍️ | 36PSI

🏍️ | 60PSI

🚤 | 8PSI



USB Charger



Smart Phone



Tablet



Laptop



Car



Truck



Motorcycle



Boat



Lighting



SOS



Strobe light

# CHARGE DEVICES

Power everything. With USB-C Power Delivery, you have the power to charge almost everything. Its internal power bank provides 60-wattsof power both in and out to effortlessly power our favorite USB-C devices, like phones, tablets, laptops, wearables, and more.



## WHAT'S IN THE BOX

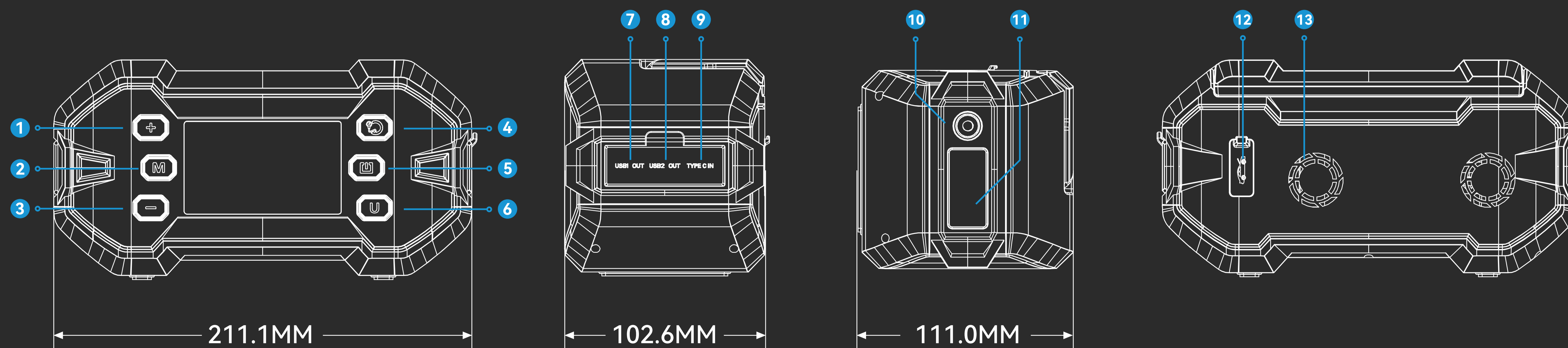
GK-J1206P JUMP STARTER

- STORAGE BAG X1
- PRODUCT X1
- CHARGING CABLE X1
- USER MANUAL X1
- EC5 JUMPER CABLE X1
- GAS NEEDLE | GAS NOZZLE X1
- AIR TUBE X1



## PRODOT DIAGRAM

- 1 + Pressure
- 2 Mode Button
- 3 - Pressure
- 4 Air Compressor Button
- 5 Power ON/Light Button
- 6 Unit conversion Button
- 7 USB Output 1: 5V/2.4A
- 8 USB Output 2: QC3.0 18W
- 9 TYPE-C Input: 5V/2A, 9V/2A
- 10 Inflation Hose Port
- 11 LED Light
- 12 EC5 Port
- 13 EC5 Port



## RECHARGE TIME

10W	9.60H
18W	5.33H

## TECHNICAL SPECIFICATIONS

INTERNAL BATTERY TYPE	LITHIUM ION
PEAK CURRENT	3000A
STARTING CURRENT	1500A
BATTERY CAPACITY	20000AMH(59.2WH /74WH)
OPERATING TEMPRATURE	"-4°F TO +140°F (-20°C TO +60°C)"
CHARGING TEMPRATURE	"32°F TO +122°F (0°C TO +50°C)"
USB-C PROTOCOL	QC3.0
USB-C (INPUT)	5V(5.0V/3A & 9V/3A & 12V/3A 15V/3A & 20V/3A)
USB-C (OUTPUT)	5V(5.0V/3A & 9V/3A & 12V/3A 15V/3A & 20V/3A)
USB-A PROTOCOL	QC3.0
USB-A1(OUTPUT)	5V(5.0V/2.4A)
USB-A2(OUTPUT)	5V(5.0V/2.4A)
DC PORT (OUTPUT)	12V-16.9V / MAX6A
WEIGHT	5.55 LBS (2.52 KG)
LED FLASHLIGHT	100 LUMEN
PRODUCT DIMENSIONS	211.1 X 102.6 X 111.0 MM

## POWERFUL AIR COMPRESSOR

AIR COMPRESSOR 3PSI-150PSI

